



Independent disc stubble cultivators  
**OPTIMER**



OPTIMER 100  
OPTIMER L 100R



OPTIMER 4000-5000  
OPTIMER 6000-7500



OPTIMER 9000-12000



## Table of contents

- 04** The DNA of KUHN independent disc harrows
  - 06** The guarantee of successful stubble ploughing operations
  - 08** Choosing between an OPTIMER L and XL
  - 10** 100% Uniform stubble ploughing
  - 12** Choosing the right roller for tamping
  - 14** Equipment and options
  - 16** Versatility: sowing while stubble ploughing
  - 18** The mounted OPTIMER
  - 20** The mounted foldable OPTIMER
  - 22** The 4 and 5 meter trailed OPTIMER
  - 24** The 6 and 7,5 meter trailed OPTIMER
  - 26** The 9 and 12 meter trailed OPTIMER
-

## OPTIMER

Independent disc stubble cultivator

# THE STUBBLE PLOUGHING ADVANTAGE

STUBBLE PLOUGHING IS THE FIRST TILLAGE OPERATION AFTER HARVESTING. AS THE SOIL HAS BEEN RESTING FOR SEVERAL WEEKS, THIS STEP IS ESSENTIAL TO REAWAKEN THE LIFE OF THE SOIL. YOU WILL ENSURE YOUR FARM'S MARGINS THROUGH GOOD MANAGEMENT OF INPUTS BUT ALSO BY MOBILIZING THE AGRONOMIC LEVERS OF TILLAGE.



OPTIMER INDEPENDENT DISC HARROWS combine ease of use, field performance and mixing quality. The OPTIMER range is available from 3 to 12 metres in mounted and trailed chassis.

THE STEADY CONTROL TECHNOLOGY, available on models from 6 to 12 metres, ensures perfect control of the working depth whatever the soil conditions. Steady Control provides immediate responsiveness to soil conditions with perfectly controlled pressure and uniform tamping. The quality of work is even and homogeneous over the whole field, even at high speed.

The range is enhanced with A NUMBER OF OPTIONS that offer real versatility: the possibility of sowing a cover crop with the SH seeder, various front implements such as the shredder roller or levelling blades and a wide choice of rollers. This makes the OPTIMER stubble cultivator one of the most versatile products on the farm.

# THE DNA OF KUHN INDEPENDENT DISC HARROWS

Do you want to improve your operating cost per hectare with a simple, versatile machine that delivers the quality of work you need? Discover the OPTIMER independent disc harrows. They are the ideal solution for your stubble ploughing work: boost your work rates, work in the presence of residue, sow cover crops, and all this while increasing user comfort.



## Quality of work

In stubble ploughing, the quality of the work is defined by the quantity of uprooted plants, a good soil/straw mulch for rapid decomposition in the soil, the creation of false seedbeds, and a well-levelled and reconsolidated soil.

- Disc arm safety with elastomer blocks on the OPTIMERS to ensure stability and uniform ploughing
- Comb harrow for levelling (optional)
- You have full control of the working depth thanks to ideal ground tracking with the STEADY CONTROL technology

## Easy passage

Your stubble cultivator must allow you to cut and bury large volumes of biomass (cover crops, residue, organic amendments).

- OPTIMERS have a large underbeam clearance.
- One disc on each arm for easier passage in plant residue.
- The external disc hub doesn't hinder passage through plant of residue.



### Easy to operate

Your stubble cultivator must be easy and quick to adjust to save you time on the job without affecting the quality of your work.

- OPTIMERS have simple, hydraulic adjustments.
- To avoid downtime, OPTIMERS are designed with maintenance-free disc and roller bearings.

### Multifunctional

With the OPTIMERS, a single machine allows you to stubble plough, bury plant residue, create false seedbeds, weed mechanically and prepare the soil before seeding.

In addition, you can stubble plough and seed in one pass with the SH 201, 402 and 600 seed drills. Your cover crop sowing is precise, of high quality and fully autonomous.

- You can reduce costs by using a seed drill in combination with a stubble cultivator.
- Equipping the front hopper with a distribution head lets you broadcast a crop.

## THE GUARANTEE OF SUCCESSFUL STUBBLE PLOUGHING OPERATIONS

Depending on the working depth and the volume of plant residue to be worked, you will choose the model best suited to your working conditions: OPTIMER L with 510 mm diameter discs or OPTIMER XL with 620 mm diameter discs.

### The disc, your key part

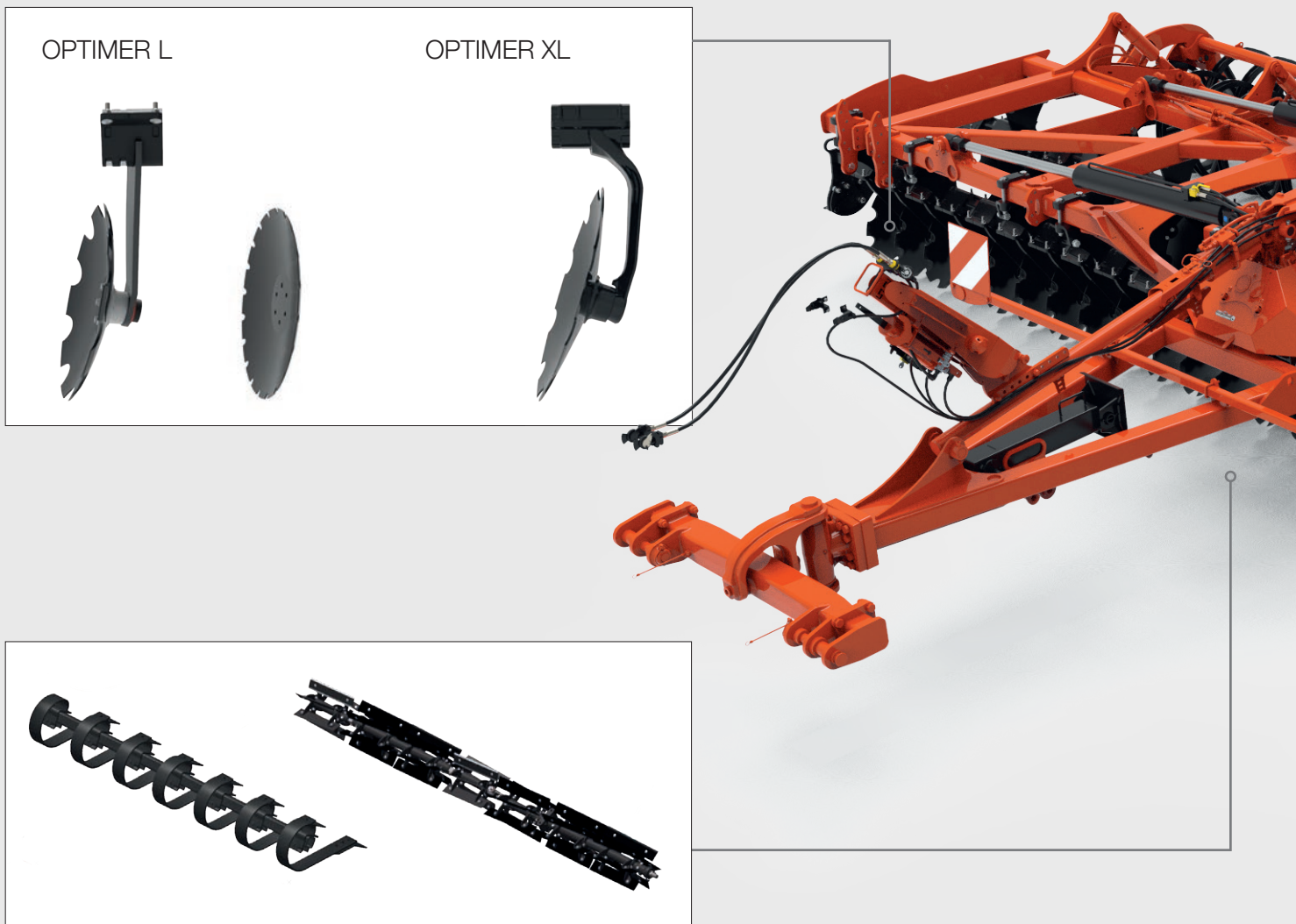
#### 510 mm diameter disc on the OPTIMER L:

- Small- or large-notched disc
- Working depth between 3 and 10 cm
- Ideal for surface stubble ploughing

#### 620 mm diameter disc on the OPTIMER XL:

- Large-notched disc
- Working depth between 5 and 15 cm
- Outstanding penetration, cutting and mixing

- Disc arm safety feature with 4 independent polyurethane elastomer blocks



### Front-end equipment

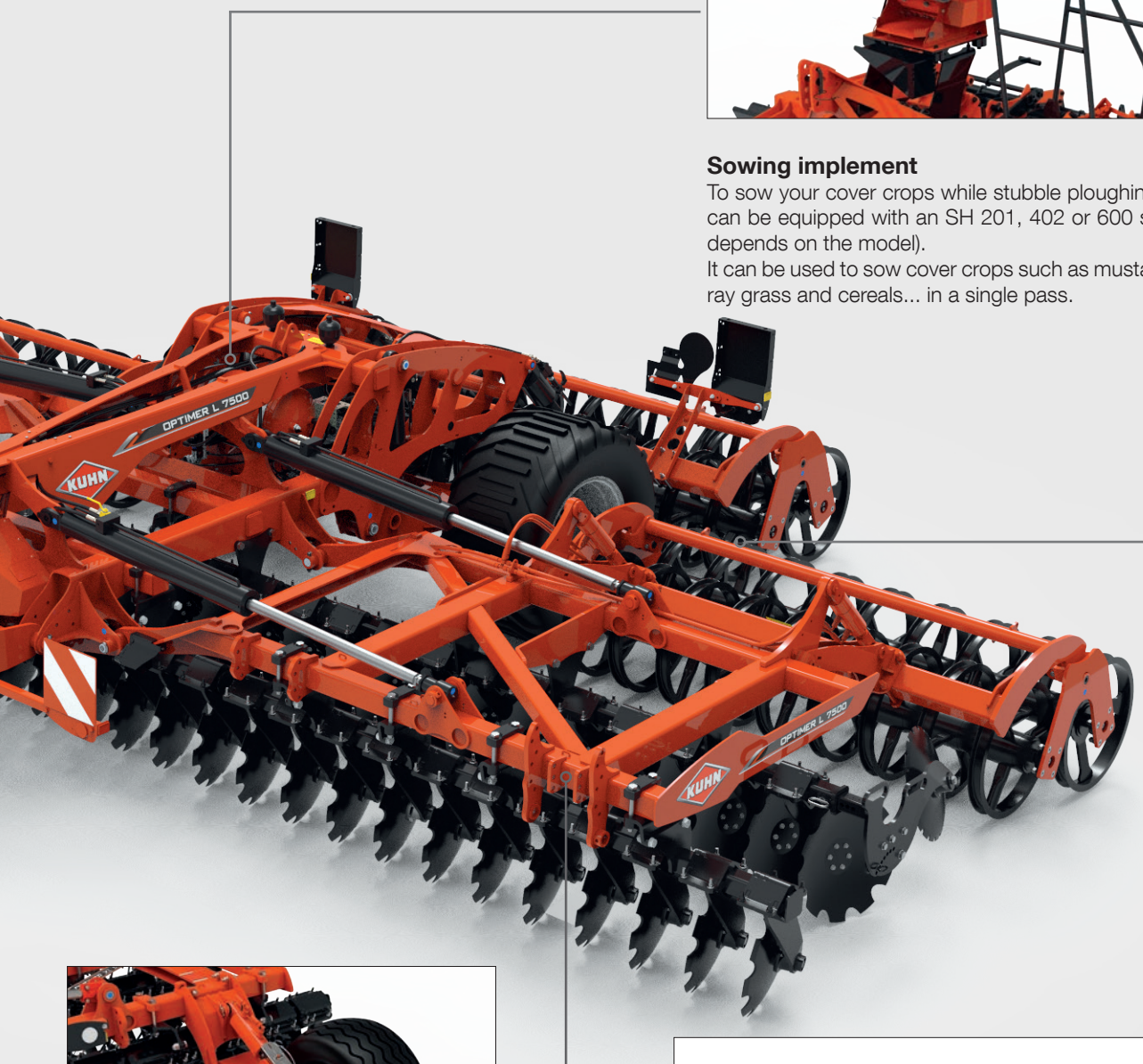
- The levelling board flattens the ploughed land and breaks up the surface clods.
- The shredder roller makes it easier to pass through heavy plant residue and accelerates their decomposition for a better mineralization.



### Sowing implement

To sow your cover crops while stubble ploughing, the OPTIMER XL can be equipped with an SH 201, 402 or 600 seed drill (availability depends on the model).

It can be used to sow cover crops such as mustard, phacelia, clover, ray grass and cereals... in a single pass.



### Additional equipment

To fully adapt to your conditions, the OPTIMER range has additional equipment: gauge wheels, rear harrow, additional weights, etc.

### A wide range of rollers

The roller plays a key role in providing a clean finish to your stubble ploughing operations. That's why KUH N offers a wide selection of rollers to help you choose the one that best suits your needs.

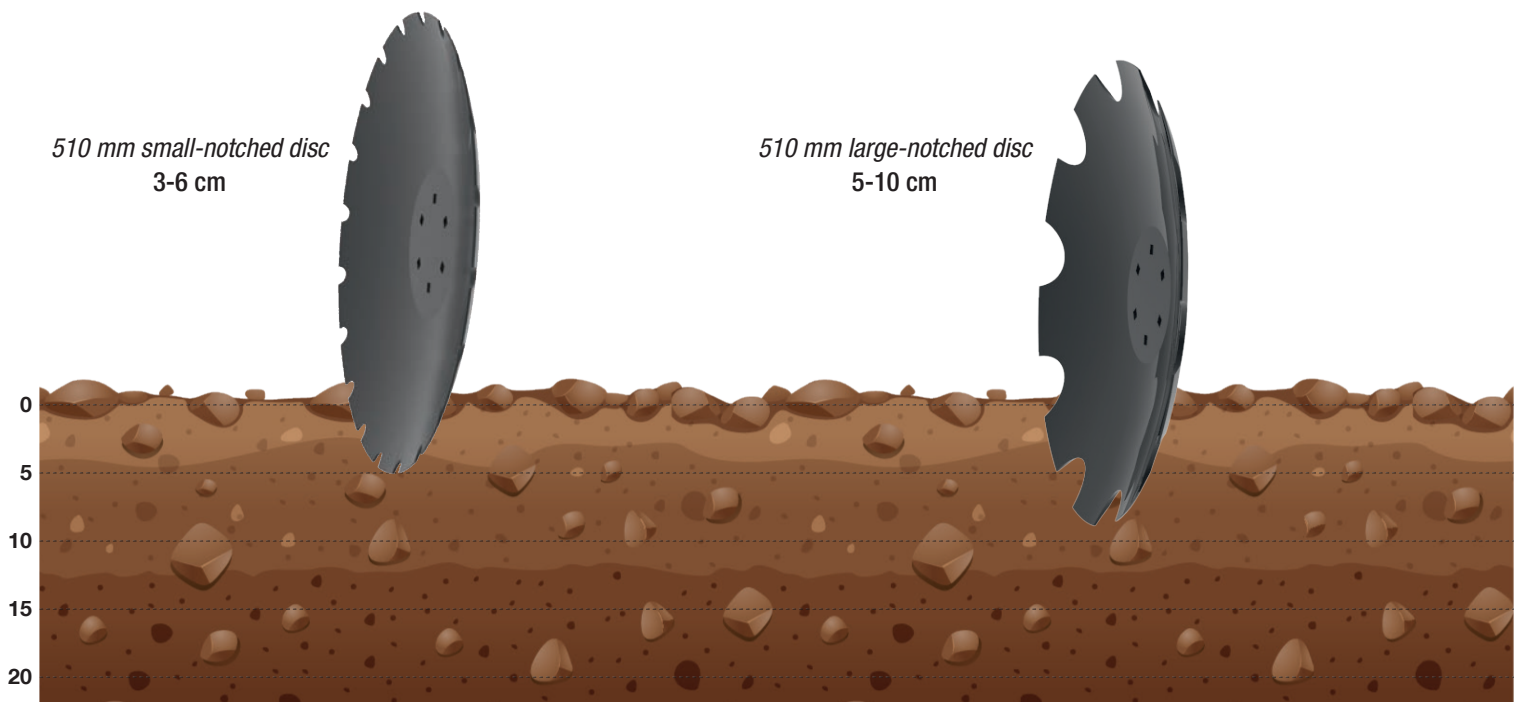
The roller controls the working depth, ensures soil tamping after the discs have passed to keep it cool, levels the ploughed area and crumbles the soil.

## OPTIMER

# CHOOSE BETWEEN OPTIMER L AND XL

The OPTIMERS are divided into two ranges: OPTIMER L with 510 mm diameter discs and OPTIMER XL with 620 mm diameter discs. The L model is the right choice if you are looking for shallow stubble ploughing and soil preparation down to 10 cm. The OPTIMER XL, on the other hand, is more suitable if you want to cut and incorporate heavy residue up to 15 cm deep.

### OPTIMER L



#### 510 mm diameter discs

The diameter of the disc directly influences the tillage. Its small diameter generates a high rotation speed, promoting the expansion of the soil.

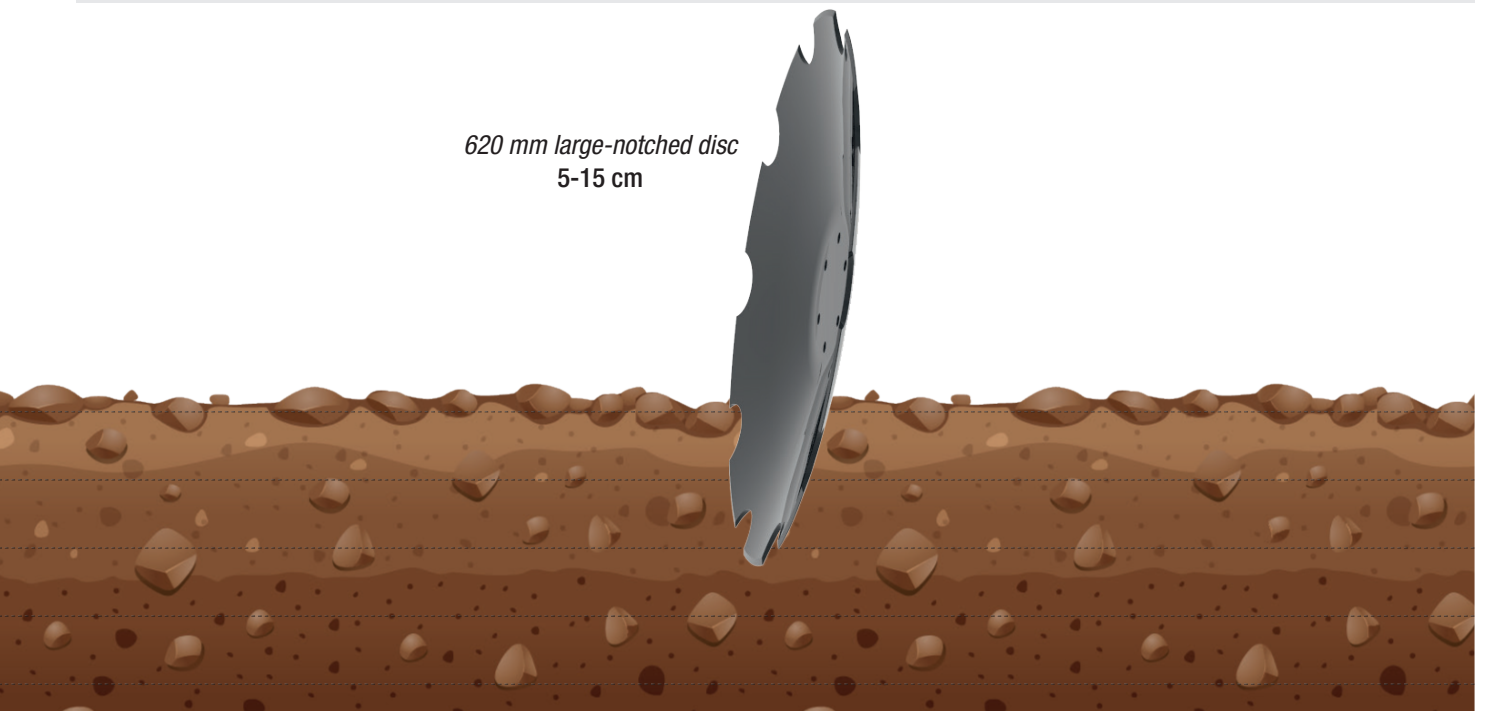
- Regulates the flow of soil for optimal mixing even during surface tillage;
- Ability to create fine soil tilth for quality false seedbeds;
- Spring preparation: create a fine soil tilth, aerate and warm the soil, even in the presence of residue.





## OPTIMER XL

620 mm large-notched disc  
5-15 cm



### 620 mm diameter disc

The large disc of the OPTIMER XL ensures good scalping, and good mixing up to 15 cm

The quality of the steel and its thickness guarantee the best wear performance.

- Shallow stubble ploughing (5 to 8 cm): false seedbeds, limited moisture loss and mechanical destruction of weeds and cover crops;
- Median stubble ploughing (8 to 15 cm) to incorporate heavy residue such as corn, manure, etc., maximize the straw/soil mixture, accelerate their decomposition through a mulch effect and control pests such as slugs, mice, etc.

**OPTIMER**

## 100% UNIFORM STUBBLE PLOUGHING

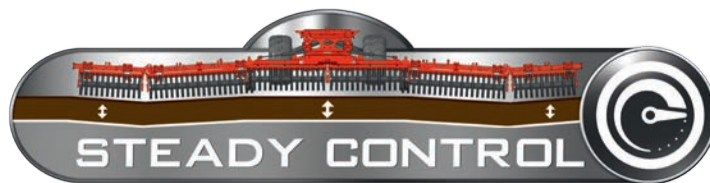
Uniform quality and depth of work throughout the most uneven plots is possible with the STEADY CONTROL technology by KUHN. Available on the OPTIMER 6 to 12 metre versions, STEADY CONTROL guarantees excellent ground tracking. You reduce your fuel consumption and improve the quality of your stubble ploughing to boost your next crop's yield.



### **A regular working depth**

A good soil/straw mixture combined with a perfectly controlled depth is the key to making sure your next crop germinates optimally and gets off to the right start.

**With STEADY CONTROL**, there is no need to choose between width and quality of work. You can be sure that you will get even results over the whole width of the machine whatever the unevenness of the ground.



## KUHN INNOVATION

Each chassis section is independent to perfectly follow the terrain. The pressure on the extension cylinders is hydraulically controlled to ensure that the discs penetrate in all conditions. STEADY CONTROL works by routing the oil between the tractor and the extension cylinders without pressure fluctuations.



The OPTIMER 6000 and 7500 stubble cultivators are equipped with the optional STEADY CONTROL ground tracking system. It is fitted as standard on the 9 and 12 metre models for perfect control of the working depth whatever the soil conditions

## CHOOSING THE RIGHT ROLLER FOR TAMPING

The roller plays a key role in providing a clean finish to your stubble ploughing operations. That's why KUHN offers a wide selection of rollers to help you choose the one that best suits your needs. The roller controls the working depth, ensures soil tamping after the discs have passed, levels the ploughed area and crumbles the soil.

### TUBE ROLLER



A lightweight, cost-effective roller that offers quality tamping and machine stability on light-to-medium soils.

- **mounted and mounted folding models**
- **ø550 mm**
- **75 kg/m**

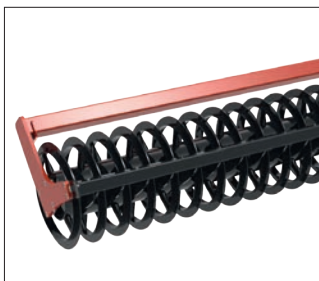
### FLEXLINER ROLLER



Versatile on all types of soil. Its ability to create fine tilth promotes excellent germination for your false seedbeds, and its low weight makes lifting the machine easy.

- **mounted and mounted folding models**
- **ø540 mm**
- **115 kg/m**

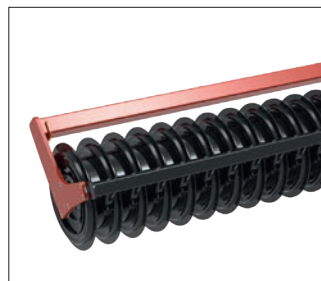
### T-RING ROLLER



A lightweight, aggressive roller on clods and straw; it maintains quality coarse soil. Ideal for silty soils.

- **mounted, folding mounted, trailed 4 and 5 meter models**
- **ø600 mm**
- **130 kg/m**

### T-LINER ROLLER



It has the advantages of the T-Ring while adapting perfectly to stony conditions. It provides perfect surface crumbling on clay and/or clumpy soils.

- **mounted, folding mounted, trailed 4 and 5 meter models**
- **ø600 mm**
- **140 kg/m**

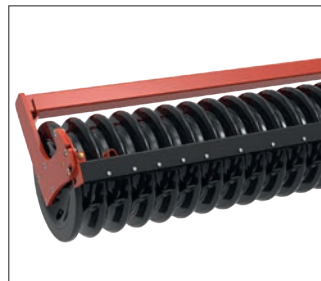
### V-LINER ROLLER



The V-LINER ensures very good crumbling and perfect levelling in even the most difficult soils.

- **mounted, folding mounted, trailed 4 and 5 meter models**
- **ø600 mm**
- **145 kg/m**

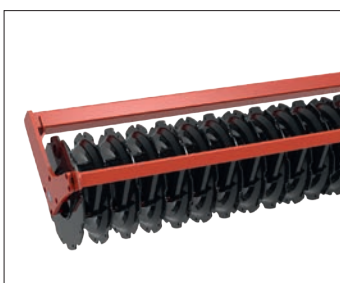
### PACKLINER ROLLER



Roller with a very good tamping capacity. It is perfectly suited for creating false seedbeds and performs well in wet conditions.

- **mounted, folding mounted, trailed 4 and 5 meter models**
- **ø600 mm**
- **165 kg/m**

### HD-LINER ROLLER



As a heavy roller, it delivers quality work in wet and stony conditions. Its V-shaped profile reduces runoff and improves water infiltration in the inter-rows. In addition, it has a high tamping and consolidation capacity.

- **mounted, folding mounted, trailed 4, 5, 6 and 7.5 metres models**
- **ø600 mm**
- **180 kg/m**

### DOUBLE TUBE/BAR ROLLER



It combines load capacity and rotation speed to provide good crumbling and create fine tilth. Suitable for stubble ploughing, it is also a valuable weed management tool as it creates quality false seedbeds.

- **mounted models, folding mounted, trailed 4, 5, 6 and 7.5 metres models**
- **ø550 / 420 mm**
- **125 kg/m**

### DOUBLE U ROLLER



Versatile on all types of soil. Its U-shaped profile and 12.9 cm spacing ensure surface tamping and perfect crumbling thanks to the soil-to-soil contact. It is self-cleaning and resistant to clogging.

- **trailed 4, 5, 6, 7.5, 9 and 12 metres models**
- **ø600 mm**
- **175 kg/m**

# A GUIDE TO CHOOSING A ROLLER

	Weight	Diameter	Working conditions					Ploughing conditions			
			Light soil	Medium soil	Heavy soil	Stony	Sticky conditions	Crumbling	Surface tamping (sowing/false seedbed)	Deep consolidation	Levelling
TUBE	75 kg/m	Ø 550	++	+	0	0	0	+	+	0	+
FLEXLINER	115 kg/m	Ø 540	++	++	+	+	+	++	++	0	++
T-RING	130 kg/m	Ø 600	+	++	++	+	+	+	+	+	+
T-LINER	140 kg/m	Ø 600	+	++	++	++	+	+	+	+	+
V-LINER	145 kg/m	Ø 600	++	++	++	0	+	++	++	+	++
PACKLINER	165 kg/m	Ø 600	+	++	++	+	++	++	++	++	++
HD-LINER	180 kg/m	Ø 600	0	+	++	++	++	+	0	++	+
DOUBLE TUBE/SMOOTH BAR	135 kg/m	Ø 550 and Ø 420	++	++	+	0	0	++	+	0	++
DOUBLE U	175 kg/m	Ø 600	++	++	++	++	++	+	++	+	++

Unsuitable    Suitable    Very suitable



## KUHN PARTS



### Designed and manufactured to rival time

KUHN foundries and forge as well as a high-level manufacturing process allow the production of spare parts to defy time. You can truly rely on our know-how and our genuine parts. Farmers benefit from our client support and logistics services via any KUHN PARTS warehouse, which provide quick and reliable repair solutions in cooperation with your nearest authorized KUHN dealer.



## СЕРВИС KUHN

- KUHN sos order** - Express spare parts service 24/7
- KUHN protect+** - The choice of professionals!
- KUHN i tech** - For ever quicker repairs!
- KUHN finance** - Invest rationally!

\*Not all services and equipment are available in every country.

## EQUIPMENT AND OPTIONS

You can make sure your machinery adapts to your working conditions by using front and intermediate equipment on your OPTIMER stubble cultivator. With the OPTIMERS, you can work in a cover crop or in the presence of crop residue (rapeseed, grain corn, manure, etc.), flatten ploughed land, level clods, control soil flow and sow cover crops.



### Shredder roller

- Reduction in strand size
- Outstanding capacity to pass through plants
- Accelerated decomposition of vegetation
- Faster return of nitrogen to the soil
- Guaranteed ground pressure thanks to the Steady Control technology.
- Possibility to change the ground pressure of the roller according to the conditions.
- 400 mm Ø for high speed rotation to enhance the cutting effect.



### Levelling board

- Levels ploughed land
- Breaks up clods before the discs pass
- Work is distributed evenly across each disc
- Handles stony conditions
- 215 mm pitch between tines
- Continuous hydraulic height adjustment
- Fully retracts for stubble ploughing

## Accelerate the decomposition of plant residue

The shredder roller allows you to pass through the cover crop and break up the stems of the plants. Combined with the action of the frost, you get an even better decomposition of the chopped residue. In addition, as the soil is covered with vegetation, you prevent the proliferation of weeds. The plants, once on the ground, facilitate the passage and the work of the OPTIMER discs.



### Gauge wheels

Available on the OPTIMER trailed versions, they allow you to work with the drawbar in the float position for excellent ground tracking and stability. In addition, the working depth is adjusted from the cab via the gauge wheels combined with the roller.



### Levelling harrow

The levelling harrow, mounted between the discs and the roller, considerably improves the levelling quality of your field. It guarantees a good distribution of straw and ensures an even soil and residue flow.

## OPTIMER

# MULTIFUNCTIONAL: GET YOUR SOWING DONE WHILE STUBBLE PLOUGHING

Sowing cover crops during ploughing operations saves one pass, which means significant savings in fuel and time. You can choose between a small seed drill attached to your OPTIMER or a TF 1512 kit for greater autonomy.



### SH 201 and 402: easy and precise settings

- The dosing unit is driven by an electric motor: very few parts are in motion for a high degree of reliability.
- Depending on the type of seed, the metering rollers can be changed without tools (for small, medium and large seeds).
- Spreaders positioned between the tillage components and the roller ensure an even distribution of the seed over the entire tilled width.



### SH 600

- With a capacity of 600 litres, it ensures high work output and low set-up costs. Its Venta distribution guarantees a quality sowing whatever the seed.
- Quick and easy adjustments from the cab:
  - Change the application rate manually or electronically via GPS;
  - Monitor the seed level, as well as blower and metering speeds.







### TF 1512 front hopper

The TF 1512 has a capacity of 2,000 litres and a width of 2.50 metres. It ensures greater autonomy and manoeuvrability.

Soil compaction is significantly reduced due to better load distribution between the front and rear axles.

The TF 1512 high-capacity hopper is suitable for both sowing and fertilising, for a high-performance combination with all OPTIMER models. It is controlled via Quantron or Isobus.

Available for the SH 600 and TF 1512, the QUANTRON S-2 control unit provides comprehensive and precise seed management with the following functions:

- Electronic drill management,
- Manual or automatic application rate modulation via GPS for neat field starts,
- Storage of data and seed calibration settings for 200 plots,
- Work meter.

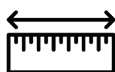


## THE FIXED CHASSIS, MOUNTED OPTIMERS

The **OPTIMER 100** are independent disc stubble cultivators in a mounted version and with a fixed chassis. They are characterised by their compactness and reduced overhang, which makes them ideal for those small tractors commonly found on multi-crop/livestock farms.



90 - 220 hp



3 / 3,5 / 4 metres



3 to 4,5 ha/h




















### Technical specifications

	L 300	XL 300	L 350	XL 350	L 400	XL 400
Min. tractor power (kW/hp)	66/90	77/105		90/122	88/120	103/140
Max. tractor power (kW/hp)	110/150	123/167	129/175	141/192	147/200	164/223
Working width (m)	3		3,5		4	
Transport width (m)	3		3,5		4	
Number of discs	24		28		32	
Working depth (cm)	3 to 10	5 to 15	3 to 10	5 to 15	3 to 10	5 to 15
Working depth adjustment	Mechanical adjustments using spacers as standard					
Side deflectors	Right and left as standard					
Linkage	2, 3N, 3				3N, 3	
Available rollers	Tube, T-Ring, T-Liner, Flexliner, V-Liner, HD-Liner, Double Tube/Bar				Tube, T-Ring, T-Liner, Flexliner, V-Liner, HD-Liner	
Weight (in kg), with T-Liner roller	1790	2248	2080	2596	2350	2888

These compact models offer high performance. The OPTIMER 100 will impress farmers with the unrivalled work output it delivers due to high working speeds. The quality of work, levelling capacity and user comfort put it in a class of its own. That's right, this machine provides the best performance without compromise.

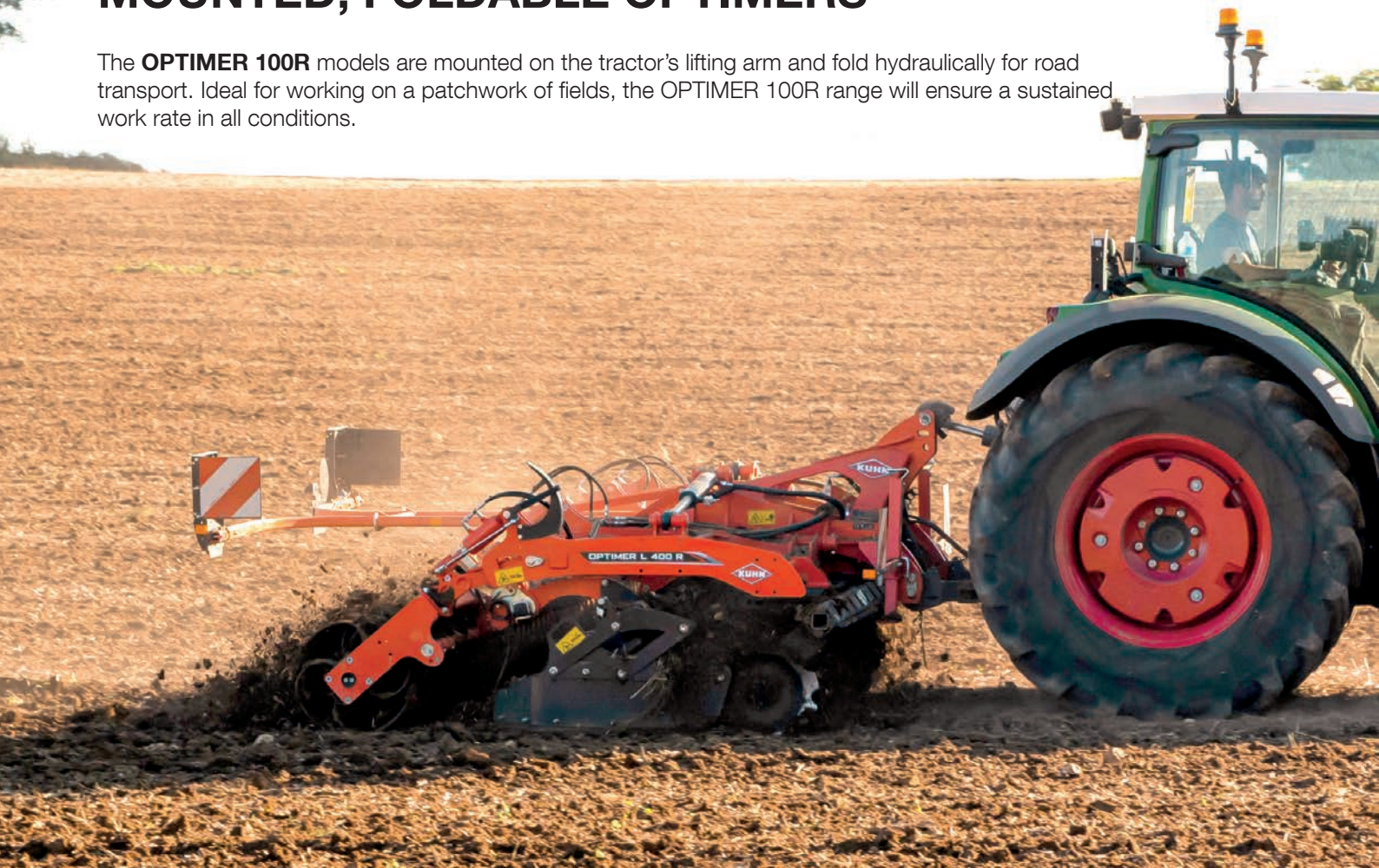


### Available equipment

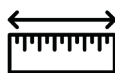
Discs	 Ø 510 small notches  Ø 510 large notches  Ø 620 large notches
Intermediate harrow	   
Rollers	TUBE  T-RING  FLEXLINER  T-LINER  V-LINER  HD-LINER  DOUBLE TUBE BAR 
Working depth adjustment	 Mechanical  Continuous hydraulic
Seeding implements	 SH 201  SH 402
Weight	 Mass kit

## MOUNTED, FOLDABLE OPTIMERS

The **OPTIMER 100R** models are mounted on the tractor's lifting arm and fold hydraulically for road transport. Ideal for working on a patchwork of fields, the OPTIMER 100R range will ensure a sustained work rate in all conditions.



120 - 300 hp



4 / 5 / 6 metres



4,5 to 8,5 ha/h






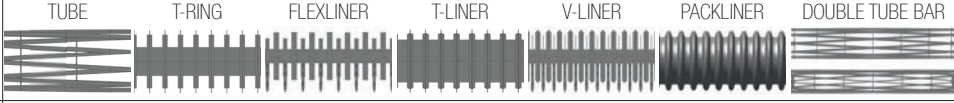



### Technical specifications

	L 400R	L 500R	L 600R
Min. tractor power (kW/hp)	88/120	110/150	133/181
Max. tractor power (kW/hp)	147/200	184/250	221/300
Working width (m)	4	5	6
Transport width (m) 3	3		
Number of discs	32	40	48
Working depth (cm)	3 to 10		
Working depth adjustment	Mechanical adjustments using spacers as standard		
Side deflectors	Right and left as standard		
Linkage	3, 4		
Available rollers	Tube, T-Ring, T-Liner, Flexliner, V-Liner, Packliner, Double Tube/Bar		
Weight (in kg), with T-Liner roller	2810	3308	3691

We've truly optimised the design of the OPTIMER 100R to offer you the toughest machine in a lighter build. This alchemy makes it highly adaptable for medium to high power tractors.



### Available equipment

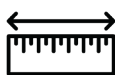
Discs	 Ø 510 small notches	 Ø 510 large notches					
Intermediate harrow							
Working depth adjustment	 Mechanical	 Continuous hydraulic					
Rollers							
Seeding implements	 SH 201	 SH 402	 Front hopper kit				

## THE 4 AND 5 METRE TRAILED OPTIMERS

The trailed **OPTIMER 4000 - 5000** models enable a high work rate for medium sized tractors. Used for shallow stubble ploughing or deeper tillage for maximum mixing, the OPTIMER 4000 - 5000 models Swiss army knives in the crop growing process.



120 - 300 hp



4 / 5 metres



3 to 4,5 ha/h















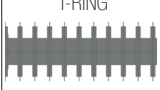
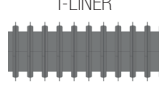


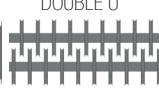
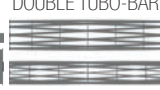


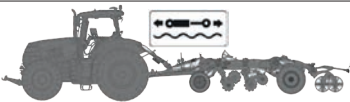





### Technical specifications

	<b>L 4000</b>	<b>XL 4000</b>	<b>L 5000</b>	<b>XL 5000</b>
Min. tractor power (kW/hp)	88/120	119/162	110/150	149/203
Max. tractor power (kW/hp)	147/200	178/242	184/250	223/303
Working width (m)	4		5	
Transport width (m)	<2,55			
Number of discs	32		40	
Working depth (cm)	3 to 10	5 to 15	3 to 10	5 to 15
Working depth adjustment	Continuous hydraulic from the cab			
Side deflectors	Right and left as standard			
Linkage	K80, crossbar 3/4/4N, ball joint Ø 42/51/71			
Available rollers	Tubo, T-Liner, V-Liner, HD-Liner, Doble Tubo/Bar, Doble U			
Weight (in kg), with Double U roller	4500	5123	5091	5765

The design of the trailed OPTIMER 4000 - 5000 gives the machine irreproachable balance. The axle is positioned between the discs and the roller for excellent stability. This also makes it easy to add equipment such as seed drills. The transport width is only 2.5 metres to simplify road travel.



### Available equipment

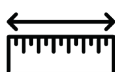
Linkages	 Tow ring	 Ball joint	 K80	 Crossbar 3	 3/4 crossbar	
Front-end tools	 Levelling board <i>*Only in L version</i>			 Shredder roller		
Discs	 Ø 510 small notches	 Ø 510 large notches	 Ø 620 large notches			
Intermediate harrow						
Rollers	 T-RING	 T-LINER	 V-LINER	 HD-LINER	 DOUBLE U	 DOUBLE TUBO-BAR
Working depth adjustment		 Continuous hydraulic				
Gauge wheels		Without gauge wheels		 With gauge wheels		
Ground tracking *with gauge wheels				Floating drawbar position		
Seeding implements	 SH 201	 SH 402	 SH 600			
Selectors	 KTH 12		 KTS 10			

# THE 6 AND 7.5 METRE TRAILED OPTIMERS

The **OPTIMER 6000 and 7500** trailed stubble cultivators meet the challenges of today's farming methods with their high throughput, outstanding work rates and exemplary work quality.



180 - 450 hp



6 / 7,5 metres



8,5 to 10 ha/h














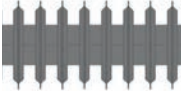









## Technical specifications

	<b>L 6000</b>	<b>XL 6000</b>	<b>L 7500</b>	<b>XL 7500</b>
Min. tractor power (kW/hp)	133/180	176/239	166/226	220/299
Max. tractor power (kW/hp)	221/300	264/359	265/360	330/449
Working width (m)	6		7,5	7,2
Transport width (m)	3			
Number of discs	48		60	58
Working depth (cm)	de 3 a 10	de 5 a 15	de 3 a 10	de 5 a 15
Working depth adjustment	Continuous hydraulic from the cab			
Side deflectors	Right and left as standard			
Linkage	K80, crossbar 3/4/4N, ball joint Ø 42/51/71			
Available rollers	HD-LINER, Double Tube/Bar, Double U			
Weight (in kg), with Double U roller	6200	7000	6880	7555



With a plethora of equipment, the 6000 and 7500 models will meet all your requirements. The 3 sections of the frame, the gauge wheels and the STEADY CONTROL together make the perfect combination for regular, efficient work across the whole width of the implement. Hilly terrains will no longer be an obstacle to working with wide machines.



Available equipment	
Linkages	 Tow ring  Ball joint  K80  3/4 crossbar
Front-end tools	 Levelling board <small>*Only in L version</small>  Shredder roller
Discs	 Ø 510 small notches  Ø 510 large notches  Ø 620 large notches
Intermediate harrow	   
Rollers	 HD-LINER  DOBLE U  DOUBLE TUBE BAR
Working depth adjustment	 Mechanical  Hydraulic assistance
Gauge wheels	Without gauge wheels  With gauge wheels
Ground tracking *with gauge wheels	 Float position of the extensions
Seeding implements	 SH 600  Front hopper kit
Selector	 KTH 12

# THE 9 AND 12 METRE TRAILED OPTIMERS

Stubble plough over a wide path at high speeds for an unrivalled work output! STEADY CONTROL optimises ground tracking so that you can reap the benefits of a totally uniform working quality and depth. The **9 and 12 metre OPTIMERS** are THE solution for unbeatable daily performance.



270 - 700 hp



9 / 12 metres












13 to 18 ha/h

## Technical specifications

	L 9000	XL 9000	L 12000	XL 12000
Min. tractor power (kW/hp)	199/271	264/359		353/480
Max. tractor power (kW/hp)	330/449	397/540	441/600	514/699
Working width (m)	9		12	
Transport width (m)	3			
Number of discs	72		96	
Working depth (cm)	3 to 10	5 to 15	3 to 10	5 to 15
Working depth adjustment	Continuous hydraulic from the cab			
Side deflectors	Right and left as standard			
Linkage	K80, crossbar 3/4/4N, ball joint Ø 42/51/71			
Available rollers	Double U			
Weight (in kg), with Double U roller	9150	10300	12300	13700

The 9 and 12 metre models will appeal to large farms looking for a machine that offers reliability, hassle-free adjustments and quick return on investment. Their design complies with the 3x4 metre road gauge constraints so you can travel safely on the road.



Available equipment			
Linkages	Ball joint	K80	3/4+ crossbar
Discs	 Ø 510 small notches	 Ø 510 large notches	 Ø 620 large notches
Working depth adjustment	 Hydraulic assistance		
Roller	 DOUBLE U		
Gauge wheels	 With gauge wheels		
Ground tracking	 Float position of the extensions		
Seeding implements	 Front hopper kit		
Selector	 KTS 22		

# MyKUHN

THE LINK TO MY SUCCESS

MyKUHN is your on-line customer space. Sign up now and discover how the exclusive services offered by MyKUHN will facilitate the management of your fleet of KUHN machines and terminals as well as help you maximize their performance. Once identified, on computer, smartphone or tablet, you will have access to parts catalogs, technical documentation and numerous connected services.



## Discover the KUHN ranges of soil preparation equipment



1. PROLANDER vibrating tine cultivator - 2. OPTIMER independent disc stubble cultivator - 3. CULTIMER tine stubble cultivator - 4. PERFORMER tine/disc cultivator - 5. DISCOVER/DISCOLANDER disc stubble cultivators - 6. STRIGER 100 strip till implement

KUHN-HUARD SAS - Zone Horizon - 2, Rue de Québec - F-44110 CHATEAUBRIANT - France

For more information about your nearest KUHN dealer, visit our website [www.kuhn.com](http://www.kuhn.com)

Information given in this document is only for information purposes and is non-contractual. Our machines are in compliance with regulations in force in the country of delivery. In our literature, and for improved illustration of certain details, some safety devices may not be in operating position. When operating these machines, these devices must be in position in accordance with the requirements indicated in the operator's manuals and assembly manuals. Respect the tractor gross vehicle weight rating, its lift capacity and maximum load per axle and tyres. The tractor front axle load must always comply with the regulations of the country of delivery (In Europe, it must reach minimum 20% of the tractor net weight). We reserve the right to change any designs, specifications or materials listed without further notice. Machines and equipment in this document can be covered by at least one patent and/or registered design. Trademarks cited in this document may be registered in one or several countries.

To protect the environment, this leaflet is printed on chlorine-free paper.  
Printed in France - 950083 GB - 12.21 - Copyright 2021 KUHN

