

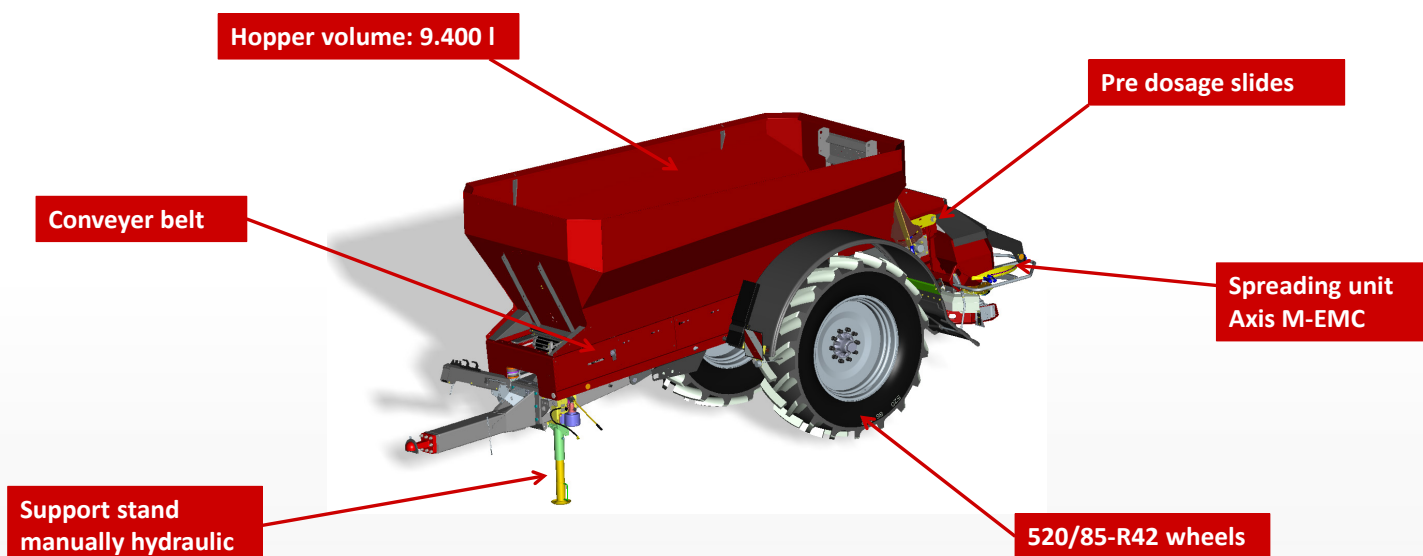
# *RAUCH AXENT 90.1*



**BUGSERET GØDNINGSSPREDER**

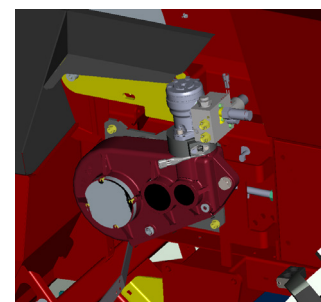
**NYHED  
STOR KAPACITET MED STOR PRÆCISION**

## AXENT 90 M – MACHINE OVERVIEW



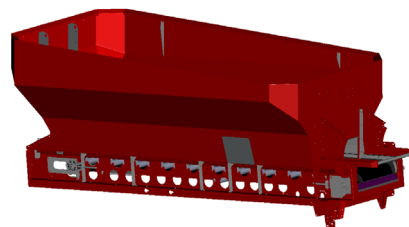
## AXENT 90 M REQUIREMENTS ON TRACTOR

- AXENT 90 M
  - Hydraulic drive of conveyor belt.
    - Only 30 l of oil are required from tractor to drive the belt
    - Hydraulic cylinder drives the conveyor belt
  - pto driven AXIS-Power Pack
    - The spreading unit is driven directly from the tractor pto
  - ISOBUS connection
    - The spreader can be operated from an compatible ISOBUS Terminal

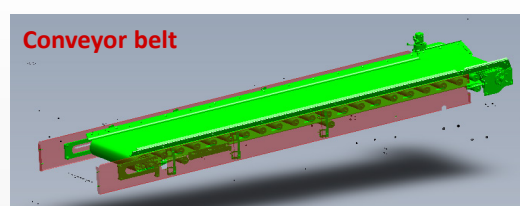


## AXENT 90 M – METERING WITH THE RUBBER BELT

- Endless special fabric belt 8 mm thick, 80 cm wide and 4,5 m long transfers the spreading material into the spreading unit
- The belt is mounted at an angle for better weight transfer to the tractor and to avoid negative support load
- The belt tension can be easily adjusted if needed!
- Transport rollers are with a sealed bearing and are easy accessed from the side doors!

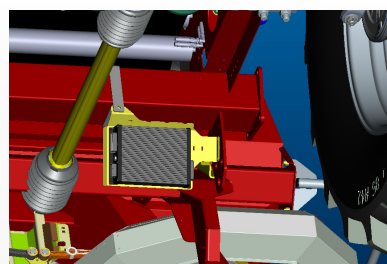


Transport rollers



## AXENT 90 M - SPREADING UNIT

- **AXIS -Power Pack** : the spreading unit is fix mounted on AXENT 90 M
- **AXIS-Power Pack**: Mechanical driven spreading unit with :
  - Electric drop point adjustment = working width adjustment during spreading
  - Manual adjustment of pre-dosing slides on AXENT 90 M
- **AXIS-Power Pack**: with Speed Servos for the adjustment of shutter position



## AXENT 90 M - SPREADING UNIT

- **AXIS -Power Pack** : the spreading unit is fix mounted on AXENT 90 M with new cover hood and new design of light with warning foil
- **AXIS-Power Pack**: pre dosing chamber volume, design similar to Power Pack on AXENT 100.1
- No comb roller like on AXENT 100.1 therefore new, simple cover hood
- Ground plate similar to AXIS 50.2 but with manual drop point adjustment



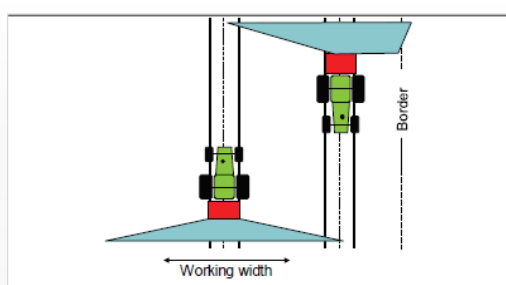
## HIGHEST DOSING ACCURACY WITH EMC

- **AXIS-PowerPack with EMC regulation!**
- Unique, patented EMC technology guarantees high metering accuracy!
- **EMC**: Electronic Mass Flow control and regulation
- Individual adjustment of the left and right disc separately every second
- Insensitive to slopes and vibrations. Impressive max. flow rate up to 500 kg/min



## BORDER SPREADING WITH TELIMAT

- Border spreading with the optional TELIMAT on the right side
- Manual adjustment of TELIMAT based on the spreading chart
- TELIMAT can be hydraulically folded down/up from the tractor cab
- High precision during border spreading



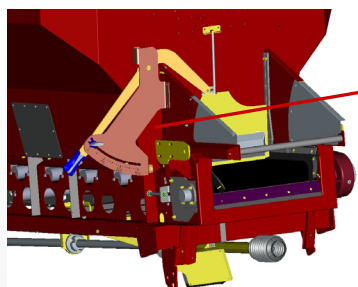
## AUTOMATIC OVERLOAD FUNCTION

- Automatic overload of fertilizer from AXENT hopper into the AXIS-PowerPack pre-dosing chambers
- Two ultrasonic sensors mounted on the AXIS-PowerPack control the fertilizer level in the pre-dosing chambers.

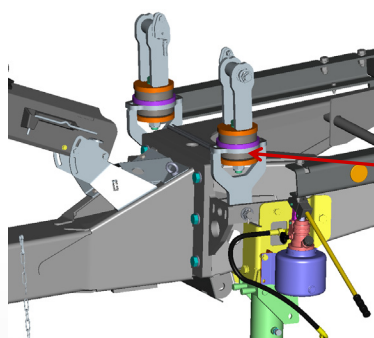


## AXENT 90 M – PRE DOSING SLIDER

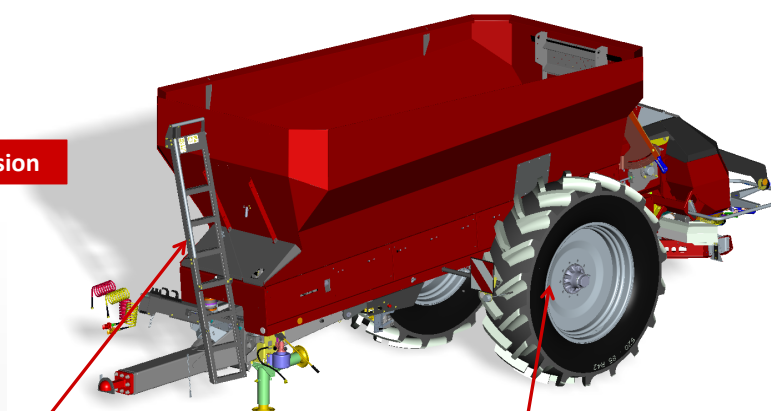
- Manual adjustment of the pre-dosing slider on the machine
- Scale is used as orientation



## AXENT 90 M – EASY ACCESS TO THE HOPPER – SAFETY ON THE ROAD



Mec. suspension



Ladder

Pneumatic brakes

## AXENT 90 M – STRONG ARGUMENTS

- Large capacity spreader: 9.400 l
- AXENT 90 M is designed to spread mineral fertilizer with AXIS-Power Pack
- AXENT 90 M with AXIS-PowerPack combines the precise spreading technology of a mechanical driven AXIS
- AXENT 90 M with AXIS-PowerPack and Speed Servos for the adjustment of dosing shutters increases accuracy and efficiency during fertilizer application, section control and headland management!
- The simpler design of cover hood, pre-dosing slides, drop point adjustment, mechanical drawbar suspension offers a very good price-performance ratio for large scale farmers!



## AXENT 100.1 IN COMPARISON WITH AXENT M 90

### AXENT 100.1

- Hopper Volume: 9.400 l
- ISOBUS Electronics
- 2x double acting control valves for the hopper cover & support stand
- pto driven on-board hydraulic system for operating the hydraulic driven spreading units (AXIS-Power Pack or Universal-Power Pack), rubber belt, pre-dosing shutters and the optional steerable axle
- Automatic overload system from AXENT to the spreading unit
- Complete in-cab adjustment of AXIS-Power Pack (drop point etc.). Integrated border spreading on a press of a button from the tractor cab. The GSE device can be also used alternatively!
- Quick change system enables the use of Universal-Power Pack for the application of lime or other floury fertilizers.
- Hydraulic drawbar suspension

### AXENT M 90

- Hopper Volume: 9.400 l
- ISOBUS Electronics
- 2 x double acting control valves for the hopper cover (option) & Telimat border spreading
- 1 x double acting control valves for rubber belt: 30 l/min at 180 bar of oil is needed from the tractor side
- pto driven spreading unit (AXIS-PowerPack)
- Electric drop point adjustment on AXIS-Power Pack. Border spreading with the TELIMAT or optional GSE
- Manual adjustment of the pre-dosing shutters on AXENT M 90
- Automatic overload system with the help of ultrasonic sensors
- No steerable axle. Mechanical drawbar suspension. AXENT M 90 forseen only for AXIS-Power Pack

## SPECIFIKATIONER

Axis M PowerPack	Spredemodul for gødning - teknik kendt fra Axis-spredere
Spredebredden med Axis PowerPack	18 - 50 m - tilvæg spredeskiver som nødvendigt ekstraudstyr
Betjening	Isobus kompatibel
Dosering med Axis PowerPack	Mekanisk Elektronisk Mængde Control
Sektionsafluk stepløst m dynamisk afluk	VariSpread Pro - GPS-software er ekstraudstyr
Halvsideluk	Standard
Kantspredningsudstyr	Hydraulisk betjent Telimat T 50 i højre side, standard
Beholdersold	Standard
Volumen, liter	9.400 l
Max. dosering	Op til 500 kg/min = 418 kg/ha med 20 km/t ved 36 m.
Hjulmontering	520/85-R42
Påfyldningshøjde, m 520/85 R42 hjulmont.	2,90 m
Tilladt maksimalvægt ved markarbejde	15.000 kg
Tilladt vægt på prodsøjet	3.000 kg v lavt træk / 2.000 kg v højt træk
Maks aksellast ved vejkørsel	10.000 kg
Egenvægt m. Axis PowerPack	ca. 4.400 kg
Nyttelast i mark	10.400 kg
Nyttelast ved vejkørsel	8.400 kg
Længde incl. Axis PowerPack	7,70 m
Aksel afstand (prodsøje - aksel)	4,98 m v lavt træk / 4,60 m v højt træk
Sporvidde	2,25 m er standard
Transport bredde	2,80 m med standard hjulmontering
Transport højde	3,15 m med standard hjulmontering
Frihøjde	0,75 m
Max. hastighed	40 km/t
Tilkobling til traktor	Lavt træk, mekanisk affjedret trækstang med K80 kugletræk er std.
Hydraulisk betjent støtteben	Standard - opklappeligt og betjent via håndpumpe
Pneumatiske bremses	Standard
Krav til trækraft	min 135 kw / 180 hk
Oliebehov	3 db.virkende til kantspredning, gummibånd og evt. presenning
Gummibånd	8 mm tykt - 800 mm bredt. Hydr. drevet - kræver 30 l/min v 180 bar
Stige	Standard i front af maskinen
Hjulsærme	Standard - for sporvidder op til 2,40 m
6 års rust-gennemtæringsgaranti	Standard - sikres via 2 x afsluttende pulverlakering
Trafiklys	Standard bagud med LED-lygter
EU-typegodkendelse	Standard



### VIL DU VIDE MERE?

Per Monk Rasmussen, tlf. 76 40 86 46  
Christian Korsholm tlf. 76 40 86 66  
Christian Kyhn Lorenzen, tlf. 76 40 86 68



**Maskinhandler Indkøbsringen A/S**

Soldalen 1, 7100 Vejle

Tlf. 76 40 86 00 – [www.mi.dk](http://www.mi.dk)